



PROJECT		REF		REV	ITEM CODE	
LOCATION		DATE			PAGE	

## SANITARY WARE SPECIFICATION SHEET

<p><b>Item Descriptions</b></p> <p>Starmix (Germany) High-speed compact hair dryer; high air speed 200km/hr</p>	<p><b>Model</b></p> <p>TH-C1</p> <p><b>Dimensions</b></p> <p>L280 x W182 x H293 mm</p> <p><b>Material</b></p> <p>Aluminium anodised end caps plastic</p> <p><b>Color</b></p> <p>White</p> <p><b>Manufacturer</b></p> <p>ELECTROSTAR GmbH (Germany)</p> <p><b>Supplier</b></p> <p>Acme Sanitary Ware Co. Ltd          Mr. Eric Wong/ Mr. Don Yuen</p> <p><b>Contact Tel/Fax</b></p> <p>(852) 2388-7171 / (852) 2710-8012</p> <p><b>E-mail</b></p> <p>acme@acmesanitary.com.hk</p> <p><b>Website</b></p> <p>www.acmesanitary.com.hk</p>	<p style="text-align: center;">Illustration/ Drawing</p> <div style="text-align: center;"> </div> <div style="text-align: right; margin-top: 10px;"> </div> <div style="text-align: center; margin-top: 20px;"> </div>
<p><b>Sensationally fast and energy saving!</b></p> <p>The new hair dryer in a stylish design. The powerful engine and the optimized nozzle outlet ensure a high air speed (of 200 km / h) - decisive for the dry performance of a hair dryer - the hair is dry in record time. This saves energy costs, increases the flow in the bath and avoids congestion. The new generation of Highspeed Compact Class with the "Made in Germany" quality.</p> <p>With the possibility to mount the unit to the height adjustment H-C1, the hair dryer can be optimally adjusted to the "appropriate" body height. This is the optimal solution for children's, elderly and handicapped, to dry their hair in sports facilities, swimming pool, public space or fitness center.</p> <p><b>ATTENTION:</b> When mounting the TH-C1 to an already existing height adjustment THH 1800 or THH 800, an adapter set (art. no. : 444185) is required.</p> <div style="text-align: right; margin-top: 10px;"> </div>		

**Note:**

*\* All information of the above is for the reference only. No prior notice is made if any changes.*



PROJECT		REF		REV	ITEM CODE	
LOCATION		DATE			PAGE	

## SANITARY WARE SPECIFICATION SHEET

### Features

Class	Highspeed Compact
ON/OFF switching	touch-free
Housing material	ABS plastic
Colour of housing	white
Power plug	yes
Permanent electrical wiring	no, optionally possible
Sensor-controlled safety switch-off	yes
Safety temperature limiter	yes
Thermal fusibel cut-out	yes
Mounting plate	yes
Mounting on height adjustment possible	yes
Flush-to-wall mounting / protected against misuse	yes
Recommended Applications	Swimming pool, fitness center, public space

### Technical specifications

Running time (auto switch-off)	240 sec.
Rated power	900 Watt
Voltage/Frequency	230-240, 50/60 Volt/Hz
Heating power	400 Watt
Motor power	500 Watt
Air volume	22.00 l/s
Air velocity	200.0 km/h
Sound pressure	69 db
Dimensions W/D/H	268/182/304 mm
Weight	3.00 kg
Protection class (IP)	IP23

### Troubleshooting and repairs

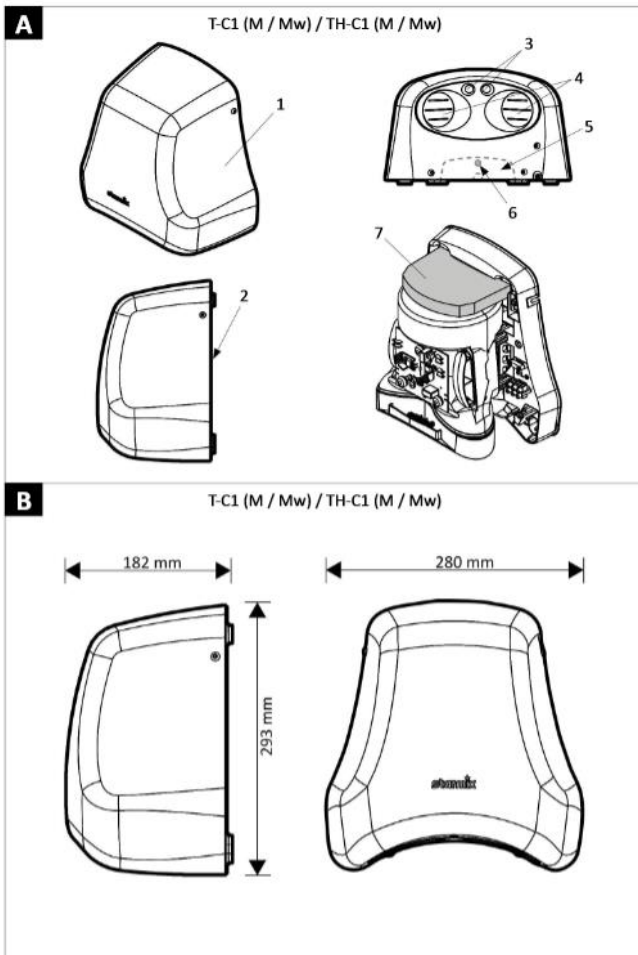
Malfunction	Cause	Remedy
The device does not start	Sensor is soiled	Remove dirt from the sensor and wipe with damp cloth
	Overheating due to blocked outlet opening	Clean out the outlet opening, allow the device to cool down
	Only for TH-C1/TB-C1: The thermal fuse was triggered	Have the thermal fuse replaced by customer service
	Only for TB-C1: The magnet in the handpiece is missing	Insert the magnet into the handpiece
Air output is insufficient	Air intake grille is soiled	Clean the air intake grille

Do not take any further action; contact customer service instead.

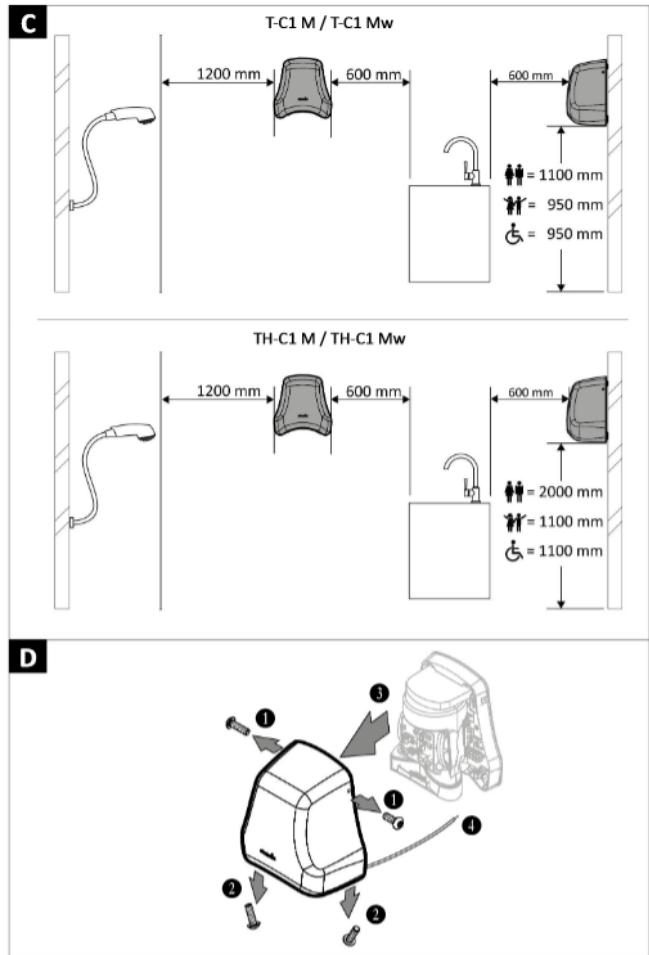


PROJECT		REF		REV	ITEM CODE	
LOCATION		DATE			PAGE	

## SANITARY WARE SPECIFICATION SHEET



starmix



starmix

Note:

\* All information of the above is for the reference only. No prior notice is made if any changes.

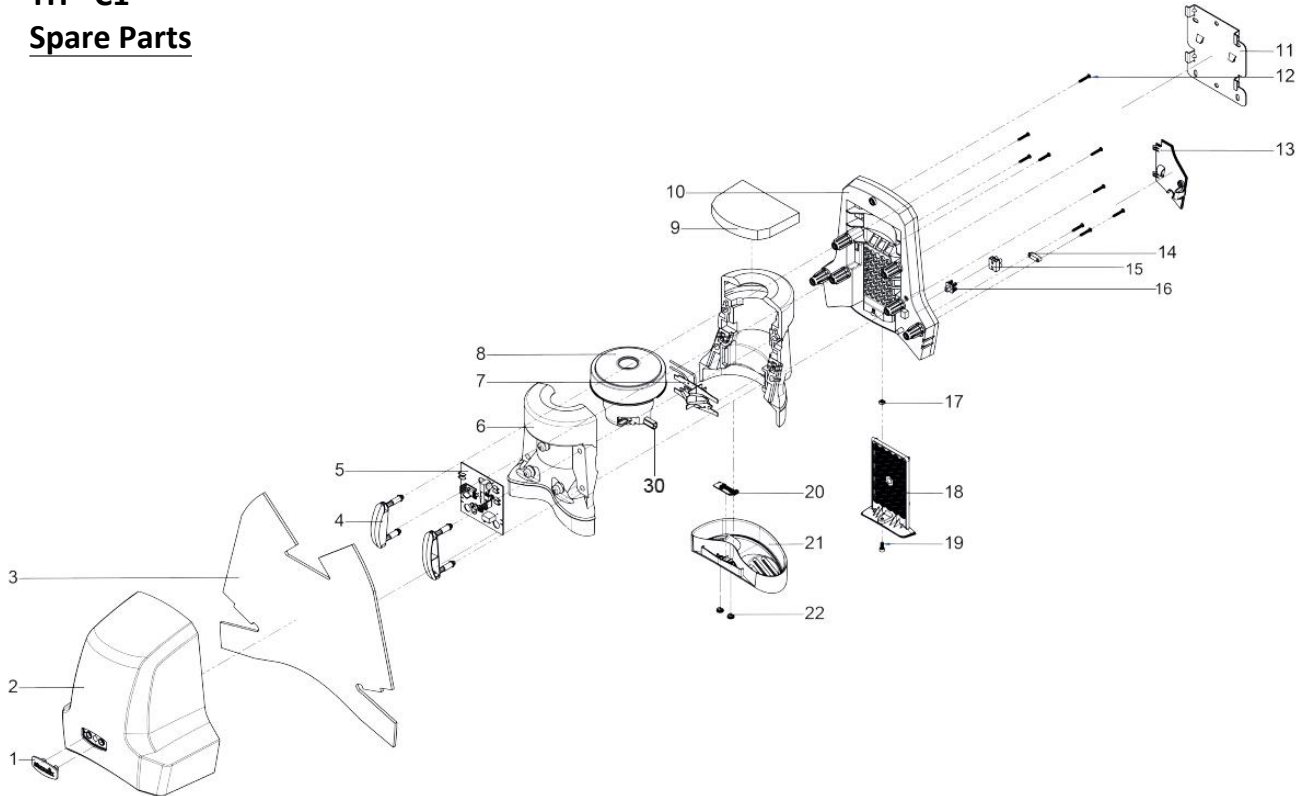


PROJECT		REF		REV	ITEM CODE	
LOCATION		DATE			PAGE	

## SANITARY WARE SPECIFICATION SHEET

### TH - C1

#### Spare Parts



AirStar TH-C1				
Benennung Name		Bestell-Nr. Part-No.	Pos.-Nr. Pos.-No.	PG
Set Schalldämmung AirStar	Set sound insulation AirStar	443607	9	12
Set Wandhalter + Befestigungsset	Set wall fastening + fixing set	443614	11	12
Set Abdeckung AirStar	Set cover AirStar	443621	12 + 13	10
Set Einschubgitter AirStar	Set slide-in grid AirStar	443638	17 + 18	11
Set Düseneinsatz AirStar TH-C1	Set nozzle insert AirStar TH-C1	443683	20 + 21	14
Set Schraube AirStar	Set screw AirStar	443690	12	10
Set Grundplatte AirStar	Set base plate AirStar	443713	10 + 16	18
Set Heizung AirStar	Set heating AirStar	443720	7	17
Set Sensoreinheit AirStar	Set sensor unit AirStar	443751	19	19
Set Elektronik AirStar TH-C1	Set electronic AirStar TH-C1	443768	5	25
Set Haube AirStar	Set hood AirStar	443782	1 + 2	21
Set Motor AirStar	Set motor AirStar	443669	6 + 8	37
Set Kohlebürsten AirStar	Set carbon brushes AirStar	449685	30	19

**Note:** In order to locate the relevant spare part, please check the corresponding parts and part number in the drawing. Minimum order quantity will be required.

*\* All information of the above is for the reference only. No prior notice is made if any changes.*

Great combination.

# Highspeed Compact TH-C1 & Height adjuster H-C1

The same applies here: Design meets comfort. Despite not having a hose, the AirStar TH-C1 guarantees gentle and effective hair drying thanks to its curved nozzle shape. The height adjustment H-C1 ensures that the AirStar can be brought to the optimum height with the help of the continuous adjuster.



#### Features:

- Impact resistant ABS plastic housing
- Non-contact on / off switch
- sensor controlled safety switch-off
- Mains plug
- Integrated assembly plate
- Safety temperature limiter
- Thermal fuse safety
- Flush-to-wall mounting / protected against misuse
- Can be mounted on a height adjuster

#### Areas of application:



Model: AirStar TH-C1  
Item no.: 017143 | white  
019604 | black



#### Height adjustment H-C1 (without TH-C1):

Hair drying at a comfortable height – individually adjustable. The ideal hair drying solution for children, the elderly and people with a disability in sports facilities, changing rooms, swimming pools or therapy centres.

Flat slide construction with weight compensation and integrated, concealed mains connection box. The hair dryer must be ordered separately. Adjustment range 55 cm, without intervals. Suitable for hair dryer TH-C1.

Model: AirStar H-C1  
Item no.: 018447



#### Certification mark for TH-C1 and H-C1:








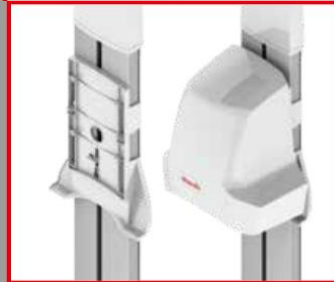

Technical data	
Total rated power (Watt)	900
Voltage	230-240 Volt~, 50/60 Hz
Heat output (Watts)	400
Engine output (Watts)	500
Air speed (km/h)	200
Airflow (l/s)	22
Sound pressure level dB(A)	69
Run time (auto. switch-off / sec.)	240
Protection type	IP23
Protection class	II
Weight (kg)	3
Dimensions WxDxH (mm)	268 x 182 x 304
Areas of application	


Model	AirStar TH-C1
Class	Highspeed Compact
Catalogue page	29
Item number	017143
Features	
On / off switch	non-contact
Housing material	ABS plastic
Case colour	white
Permanent electrical wiring	no
Power plug	yes
Sensor controlled safety switch-off	yes
Safety temperature limiter	yes
Thermal fuse safety	yes
Integrated assembly plate	yes
Mounting on height adjuster	yes
Flush-to-wall mounting	yes
Vandal-proof	no
Flexible hose / hair-styling nozzle	no

#### Highspeed Compact hand dryer T-C1.


## Powerful and economical

The Highspeed Compact-Class sets high standards: superior performance, advanced design, easy installation and comfortable operation. An appliance with a sensational price-performance ratio, for fast amortisation. The new generation of hand dryers with sophisticated starmix technology and the high level of quality „Made in Germany“.

<p><b>No waste – no bacteria:</b></p> <ul style="list-style-type: none"> <li>- No more annoying paper waste in sanitary facilities</li> <li>- Up to <b>80 % cost savings</b> compared to paper towels and fabric towel roll</li> <li>- <b>100 % recyclable</b></li> <li>- Drying air is warmed by waste heat from the motor</li> </ul>		<p><b>Energy saving at full power:</b></p> <ul style="list-style-type: none"> <li>- Energy efficient: <b>Save electricity</b> even at high levels of use</li> <li>- No false activation</li> <li>- High speed hand drying in only <b>17 seconds</b> thanks to optimal air outlet profile and powerful air blower</li> </ul>	
<p><b>Double safety system:</b></p> <ul style="list-style-type: none"> <li>- No unnecessary use thanks to sensor-controlled safety switch off</li> <li>- Protection against overheating with <b>temperature limiter</b></li> <li>- Flush-to-wall mounting/protected against misuse-safe assembly</li> </ul>		<p><b>Design meets comfort:</b></p> <ul style="list-style-type: none"> <li>- Maintenance-free motor</li> <li>- 1x assembly = many years of use</li> <li>- Cleanable air filters</li> <li>- Impact resistant ABS plastic</li> <li>- Integrated assembly plate</li> <li>- High quality and easy-clean surface</li> </ul>	
<p><b>Powerful and fast:</b></p> <p>The ergonomically designed air nozzle and optimized air flow concentrates the air flow for effective high-speed hand drying in approx. 17 seconds.</p>		<p><b>Hard-wearing and safe:</b></p> <ul style="list-style-type: none"> <li>- Flush-to-wall mounting to protect against misuse</li> <li>- Steel housing with 1.2 mm wall thickness</li> <li>- Safety screws for theft-proof attachment</li> </ul>	
<p><b>Height adjuster:</b></p> <p>Hair drying at a comfortable height – individually adjustable to suit the user's height.</p>		<p><b>Nozzle outlet:</b></p> <p>For quick hair drying and energy efficient use in an ergonomic design.</p>	



**ABS plastic**  
Impact resistant



**Design and technology**  
Innovative design and state-of-the-art technology – Made in Germany

**Areas of application**  
Can be used in all public, private or commercial sanitary areas

**High speed**  
Rapid and impressive drying results in 17 seconds

**Safety**  
Sensor controlled safety switch-off and temperature limiter

**Nozzle outlet**  
Ergonomically aligned